



The new easymotion linear unit of Bansbach

Simpliest assembly at the application

The new Bansbach linear unit can be mounted or installed at the application without the slightest effort. With the linear unit, you will get a complete system with installed adjustment cylinder. The usual flexibility of Bansbach will be maintained. Moreover, this product allows to upgrade easily existing applications.

On the backside of the cylinder, there are 4 threads available to assemble the linear unit. If requested, adapter plates can be fixed on it, too. You can find these fixing elements also in our product range.

product characteristics:

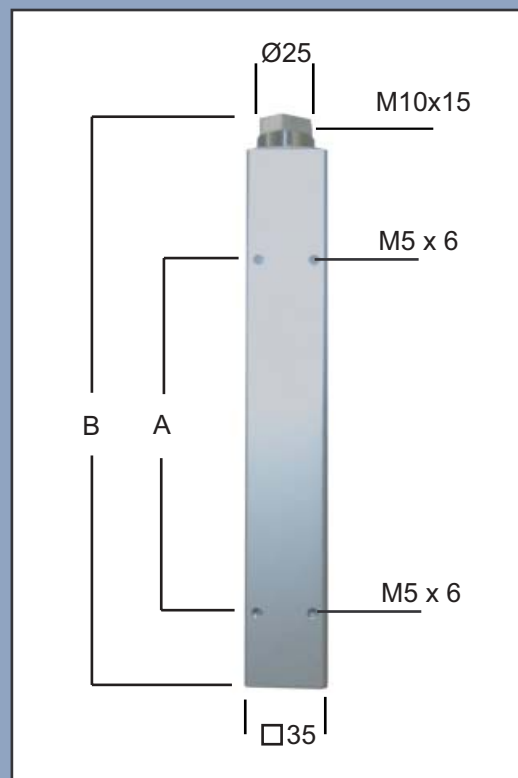
- stroke from 150 to 400 mm
- no additional guide required
- different adapter plates for fixing
- stroke loads of up to 150 kg / cylinder
- anodized aluminium
- piston rod stainless steel

stroke [mm]	A [mm]	B [mm]
150	165	254
200	240	319
300	340	444
400	340	544

fixing elements



installation measurement



The flyer is subject to technical alterations and printing mistakes.

