

Anschlussteile

Connecting parts



Gelenkaugen
Hinge eyes



Winkelgelenke
Elbow joints



Gabelköpfe
Clevises



Gelenkköpfe
Hinge heads



Beschläge
Brackets



Sonderausführungen
Special connecting parts

Die sinnvolle Vielfalt der easylift Anschlussteile kennt nur einen Maßstab – Ihre tägliche Praxis!

The reasonable variety of the easylift connecting parts knows only one measure... your daily experience.

Zur gezielten und gesteuerten Kraftentfaltung gehören auch Anschlussteile, die Bewegung und Kraftübertragung in idealer Weise – und lange Zeit – gewährleisten. Das umfangreiche easylift-Angebot an Gelenkaugen, Gabelköpfen, Winkelgelenken, Gelenkschrauben und Beschlägen, wird nahezu jedem praktischen Montageanspruch gerecht.

For a detailed and controlled force development, you will also need connecting parts which guarantee movement and force transfer in an ideal way. The comprehensive easylift range of hinge eyes, clevises, elbow joints, ball joints and metal fittings will fit nearly every mounting requirement.

Selbstverständlich wird auch das praxisbewährte easylift System immer wieder vor neue Aufgaben im Bereich der Anschlußmöglichkeiten gestellt. Sollte die von Ihnen angestrebte Applikation ideal mit easylift Gasfedern zu realisieren sein, dann werden wir auch die Anschlußproblematik lösen.

Regarding connecting parts, there will, of course, be new requirements from time to time for our easylift system. If the prospective application can be solved with easylift gas springs, we will also solve the problems regarding the connecting parts.

Bitte beachten Sie, daß sich die Einbaulänge der Gasfedern durch die Wahl anderer Anschlussteile ändert. Die Einbaulänge der easylift Gasfedern wird gemessen:

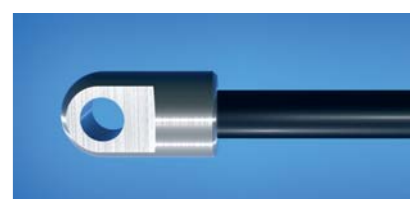
- bei Gelenkaugen, Gabel- und Gelenkköpfen von Mitte Bohrung zu Mitte Bohrung
- bei Gelenken von Mitte Kugel zu Mitte Kugel (Kugelpfanne)
- bei Gewinde jeweils ohne die Gewindelänge!

Please note that the length of gas springs will change depending on your choice of different connecting parts. The length of the easylift gas springs is calculated as follows:

- from mid boring to mid boring for hinge eyes, clevises and hinge heads
- from mid ball to mid ball for elbow joints
- without connectors the thread length is not included

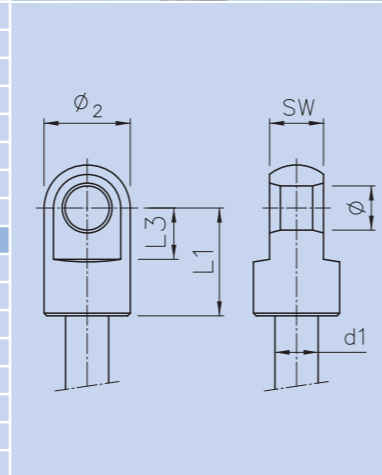
Technische Daten und Maße zu den standardisierten Anschlussteilen des Bansbach easylift Systems entnehmen Sie bitte den folgenden Seiten.

Please see the following pages for technical data and dimensions of the standardized connecting parts of the easylift system.



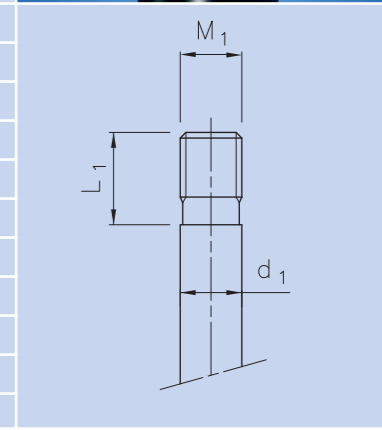
Gelenk Augen Kolbenstange | Hinge eyes piston rod side

Code	SW	Ø	L ₁	L ₃	Ø ₂	d ₁	Gewinde thread	geeignet für: suitable for:		
								Gasdruckfedern Gas springs	Blockierbare Gasfedern Lockable gas springs	Gaszugfedern Gas traction springs
Q1	3,0	4,1	11,0	5,0	7,0	3,0	M3	●		
H1	3,0	4,1	12,0	6,0	8,0	4,0	M4	●		
D1	3,0	6,2	16,0	9,0	11,0	6,0	M5	●		●
F1	6,0	6,2	16,0	9,0	10,0	6,0	M5	●		●
E1	3,0	8,2	16,0	9,0	11,0	6,0	M5	●		●
D2	5,0	6,2	23,0	11,5	16,0	8,0 - 10,0	M8	●		●
E2	5,0	8,2	23,0	12,5	16,0	8,0 - 10,0	M8	●		●
E2/KL	5,0	8,2	23,0	11,5	19,0	8,0 - 10,0	ø8	●		●
A1	10,0	8,2	20,0	20,0	16,0	8,0 - 10,0	M8,M10	●		●
H2	10,0	6,2	20,0	20,0	16,0	8,0 - 10,0	M8	●		●
M2	10,0	10,2	20,0	20,0	16,0	8,0 - 10,0	M8	●		●
J2	8,0	8,2	20,0	10,0	16,0	8,0 - 10,0	M8	●		●
K2	12,0	8,2	20,0	10,0	16,0	8,0 - 10,0	M5, M8	●		●
W2	8,0	8,2	27,0	12,0	16,0	8,0 - 10,0	M8	●		●
G2	8,0	6,2	20,0	10,0	16,0	8,0 - 10,0	M8	●		●
A2	18,0	8,2	25,0	25,0	18,0	8,0 - 14,0	M8,M10	●		●
B2	18,0	10,2	25,0	25,0	18,0	8,0 - 14,0	M8,M10	●		●
X3	14,0	8,2	20,0	20,0	19,0	8,0 - 14,0	M8,M10	●		●
B1	12,0	8,2	25,0	12,0	19,0	10,0 - 14,0	M8,M10	●		●
L2	12,0	10,2	25,0	12,0	19,0	10,0 - 14,0	M8,M10	●		●
N2	10,0	8,2	30,0	16,0	19,0	12,0 - 14,0	M10	●		●
Z2	12,0	12,2	25,0	11,0	19,0	12,0 - 14,0	M8,M10	●		●
Z1	10,0	8,5	30,0	16,0	19,0	12,0 - 14,0	M10	●		●
M2	10,0	10,2	30,0	16,0	19,0	10,0 - 14,0	M10	●		●
Q2	10,0	10,5	30,0	16,0	19,0	12,0 - 14,0	M10	●		●
C1	14,0	14,2	40,0	20,0	20,0	20,0	M14	●		●



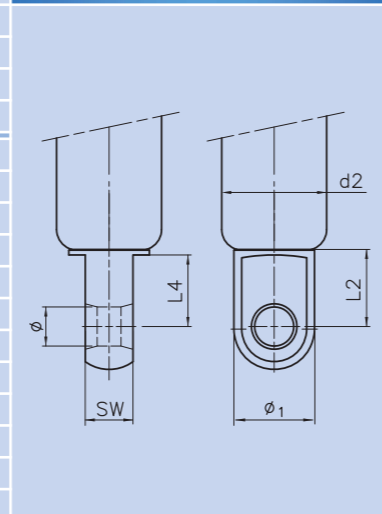
Gewinde Kolbenstange | Threads on piston rod side

Code	M ₁	L ₁	d ₁	geeignet für: suitable for:		
				Gasdruckfedern Gas springs	Blockierbare Gasfedern Lockable gas springs	Gaszugfedern Gas traction springs
Q0	M3	4,0	3,0	●		
U0	M4	4,0	4,0	●		
V0	M5	5,0	6,0	●		
B0	M8	9,0	8,0	●		●
H0	M8	9,0	10,0	●		●
D0	M10	9,0	10,0 - 14,0	●		●
R0	M6	10,0	8,0	●		
A0	M6	8,0	8,0	●		
J0	M8	12,0	8,0 - 10,0	●		
P0	M8	15,0	8,0 - 10,0	●		
C0	M8	20,0	8,0 - 10,0	●		
E0	M10	15,0	10,0 - 14,0	●		
F0	M10	20,0	10,0	●		
G0	M12	12,0	12,0	●		
Y0	M6	6,0	6,0	●		
Z0	MF 14 x 1,5	15,0	20,0	●		●
K0	MF10 x 1	18,0	10,0 - 14,0		●	
O0	MF14 x 1,5	20,0	14,0 - 20,0		●	
W0	MF8 x 1	16,0	8,0		●	
I0	M24 x 2	35,0	30,0	●		



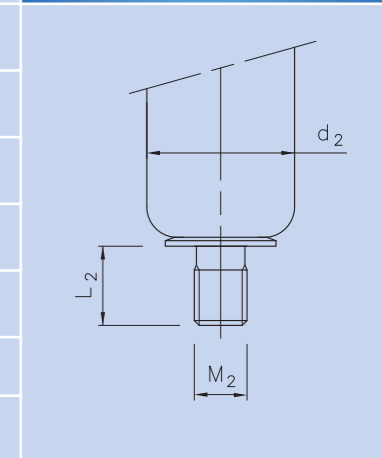
Gelenk Augen Zylinderseite | Hinge eyes cylinder side

Code	SW	Ø	L ₂	L ₄	Ø ₁	d ₂	geeignet für: suitable for:		
							Gasdruckfedern Gas springs	Blockierbare Gasfedern Lockable gas springs	Gaszugfedern* Gas traction springs*
Q1	3,0	4,1	12,0	11,0	7,0	8,0	●		
H1	3,0	4,1	8,0	7,0	8,0	12,0	●		
D2	5,0	6,2	16,0	15,0	15,0 - 17,0	19,0 - 22,0	●		
E2	5,0	8,2	16,0	15,0	15,0 - 17,0	19,0 - 22,0	●		
D1	3,0	6,2	12,0	10,5	11,0	15,0	●		
E1	3,0	8,2	12,0	10,5	11,0	15,0	●		
F2	10,0	8,2	9,5	9,5	15,0	19,0	●	●	
F2	10,0	8,2	12,0	11,0	17,0	22,0	●		
A1	10,0	8,2	16,0	15,0	15,0 - 17,0	19,0 - 22,0	●	●	●
H2	10,0	6,2	16,0	15,0	15,0 - 17,0	19,0 - 22,0	●	●	
M2	10,0	10,2	16,0	15,0	15,0 - 17,0	19,0 - 22,0	●	●	
G2	8,0	6,2	16,0	15,0	15,0 - 17,0	19,0 - 22,0	●	●	
J2	8,0	8,2	16,0	15,0	15,0 - 17,0	19,0 - 22,0	●	●	●
K2	12,0	8,2	16,0	15,0	17,0	22,0	●	●	
B1	12,0	8,2	13,0	12,0	20,0	28,0	●	●	●
L2	12,0	10,2	13,0	12,0	20,0	28,0	●	●	●
N2	10,0	8,2	13,0	12,0	20,0	28,0	●	●	●
V2	6,0	8,2	13,0	12,0	20,0	28,0	●	●	
Z2	12,0	12,2	13,0	12,0	20,0	28,0	●	●	●
A1	10,0	8,2	16,0	15,0	20,0	28,0	●	●	
Z1	10,0	8,5	16,0	15,0	20,0	28,0	●	●	
M2	10,0	10,2	16,0	15,0	20,0	28,0	●	●	
Q2	10,0	10,5	16,0	15,0	20,0	28,0	●	●	
M3	8,0	10,2	16,0	15,0	16,0	28,0	●	●	
N3	8,0	8,2	16,0	15,0	20,0	28,0	●	●	
K3	12,0	9,2	16,0	15,0	20,0	28,0	●	●	



Gewinde Zylinder | Threads on cylinder side

Code	M ₂	L ₂	d ₂	geeignet für: suitable for:			
				Gasdruckfedern Gas springs	Blockierbare Gasfedern Lockable gas springs	Gaszugfedern Gas traction springs	Gasfedern mit Ventil Gas springs with valve
Q0	M3	4,0	8,0	●			
U0	M4	4,0	12,0	●			
V0	M5	5,0	15,0	●			●
L0	M8	13,0	19,0 - 28,0	●	●	●	
M0	M10	13,0	22,0 - 40,0	●	●	●	●
A0	M6	8,0/12,0	19,0 / 22,0	●			
N0	M8	8,0	19,0 - 28,0	●	●		●
S0	M10	5,0	22,0	●			
Y0	M6	6,0	15,0	●			
Z0	MF 14 x 1,5	15,0	40,0	●		●	●
I0	M24 x 2	35,0	70,0	●			



*Gegebenenfalls geeignete Gewindepapen auswählen, sodass jedes gewünschte schraubbare Anschlussstück verwendet werden kann. *If possible use a suitable thread, so the preferred connection part can be used

Kugelflansche mit Sicherheitsbügel | Ball sockets incl. fastener

Code	A ϕ	L mm	b*c mm	Material
W5	10	19	M6*9, M8*9	Stahl <i>steel</i>
W6	10	18,5	M8*9	Kunststoff <i>plastic</i>
W7	10	18,5	M5*5	Kunststoff <i>plastic</i>

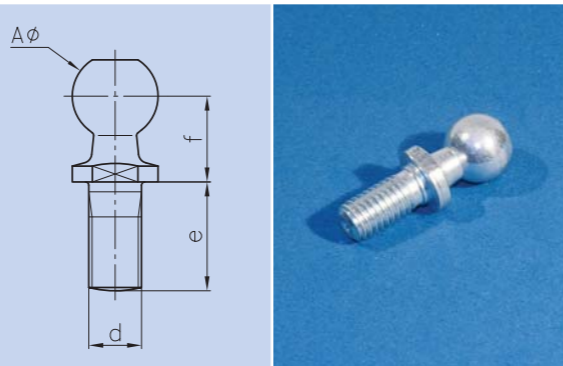


Code	A ϕ	L mm	b*c mm	Material
F5	8	18	M4*6	Stahl <i>Steel</i>
J3	8	22	M5*10,2	
W4	10	15	M5*5	
F3	10	19	M8*12	
P3	13	30	M6*14, M8*14	
W3	16	35	M10*15,5	



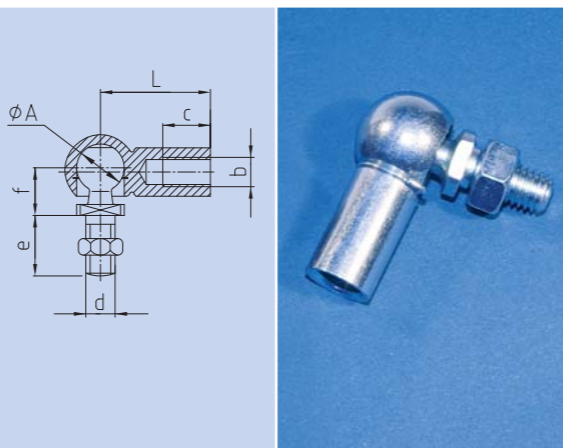
Kugelbolzen | Bolts

Art-Nr. art. no.	A ϕ	d*e mm	f mm	Material
KB08M4*10.2BL	8	M4*10,2	9	Stahl verzinkt <i>steel, zinc plated</i>
KB08M5*10.2BL	8	M5*10,2	9	
KB08M5*17BL	8	M5*17	9	
KB105/16*25.4BL	10	5/16 - 18UNC-2A*25	12,7	
KB10M8*13BL	10	M8*13	12	
KB10M8*16.5BL	10	M8*16.5	12	
KB10M8*20BL	10	M8*20	12	
KB13M8*16.5BL	13	M8*16.5	13	
KB16M10*20BL	16	M10*20	16	



Winkelgelenke | Elbow joints

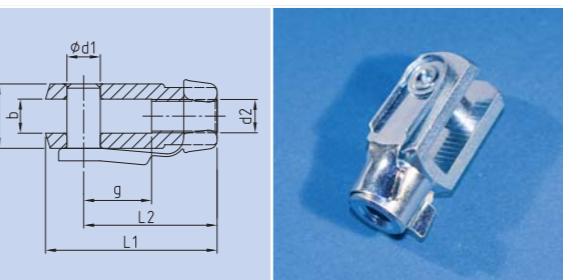
Code	A ϕ	L mm	b*c mm	d*e mm	f mm	Material	Mutter nut
Q3	8	18	M3*6	M3*10,2	9	Stahl verzinkt <i>steel, zinc plated</i>	•
F4	8	18	M4*6	M4*10,2	9		•
B3	8	22	M5*10	M5*10,2	9		•
C3	10	15	M5*6	M8*13	12		•
J4	10	25	M6*11,5	M6*12,5	11		•
D3	10	19	M8*9	M8*13	12		•
A9	10	17	Ø 7*9	M8*13	12		•
Y9	10	19	M8*9	M8*13	12		•
H3	10	19	M8*9	5/16-18UNC-2A	13		•
A3	13	30	M8*14	M8*16,5	13		•
A4	16	35	M10*15,5 / M8*15,5	M10*20	16		•
B4*	19	45	M14*1,5*21,5	M14*1,5*28	20		•



*Achtung: nur für Ausschubkräfte bis max. 3000 N geeignet! *Attention: only suitable for extension forces up to max. 3000 N!

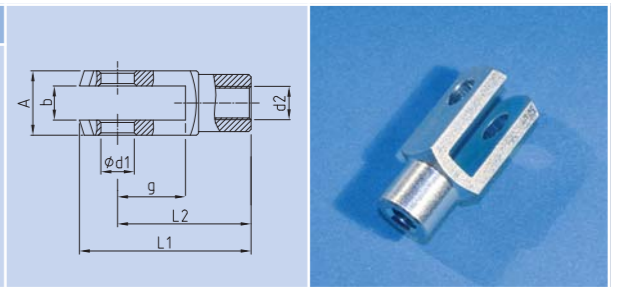
Gabelköpfe mit Federbolzen | Clevises with clip bolts

Code	ø d1 mm	g mm	A mm	b mm	L1 mm	L2 mm	ø d2 mm	Material
N4	4	8	8	4	21	16	M4	Stahl verzinkt <i>steel, zinc plated</i>
G5	5	10	10	5	26	20	M5	
C5	8	16	16	8	42	32	M8	
D9	10	20	20	10	52	40	M10	
L5	14	28	27	14	72	56	M14*1,5	



Gabelköpfe ohne Federbolzen | Clevises without clip bolts

Code	ø d1 mm	g mm	A mm	b mm	L1 mm	L2 mm	ø d2 mm	Material
Q5	4	8	8	4	21	16	M3	Stahl verzinkt <i>steel, zinc plated</i>
M4	4	8	8	4	21	16	M4	
E5	5	10	10	5	26	20	M5	
A5	8	16	16	8	42	32	M8	
B9	10	20	20	10	52	40	M10	
H5	14	28	27	14	72	56	M14*1,5	
M5	25	50	50	25	132	100	M24*2	



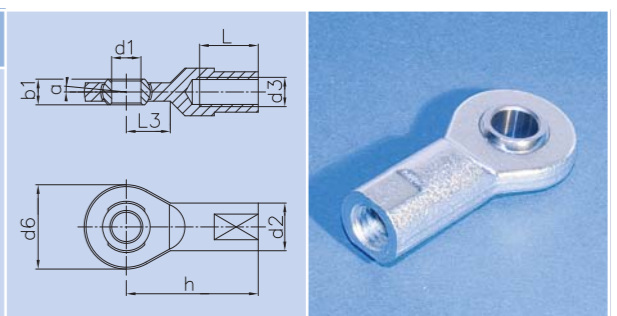
Federklappbolzen | Clip bolt

Code	ø d1 mm	g mm	a mm	b mm	L1 mm	L2 mm	L3 mm	Material
P4	4	8	9,5	11	19	15	4,5	Stahl verzinkt <i>steel, zinc plated</i>
F5	5	10	12	13,5	23	19	5,5	
B5	8	16	19	21,5	37	30	8	
C9	10	20	23	26	45	38	10	
J5	14	28	31	34	62	52	14	



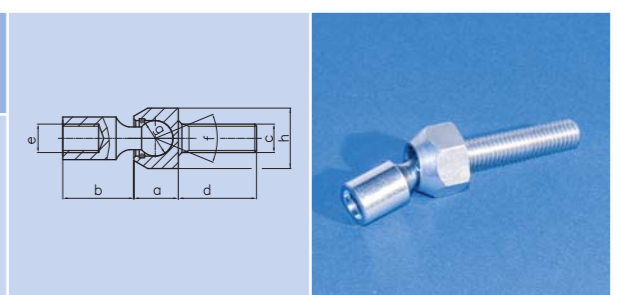
Gelenkköpfe | Hinge heads

Code	a	b1 mm	d1 mm	d2 mm	d3	d6 mm	h mm	L mm	L3 mm	Material
A7	8°	8	8	13	M8	23	36	16	12	Stahl verzinkt <i>steel, zinc plated</i>
A8	6°	9	10	16	M10	28	43	20	13	
C4	6,5°	9	6	10	M6	20	30	12	11	
C8	7,5°	19	14	20	M14*1,5	36	57	25	19	
M8	15°	31	25	36	M24*2	60	94	42	30	




Gelenkschrauben | Ball joints

Code	a mm	b mm	c	d mm	e	f	g mm	h	Material
A6	12,5	20	M8	35	M8	30°	ø 10	SW17	Stahl verzinkt <i>steel zinc plated</i>
B6	12,5	20	M8	22	M8	30°	ø 10	SW17	



Sonderausführungen Beispiele | Examples of special connecting parts

Kolbenstange piston rod		Zylinderendstück cylinder (Ø 12, 15, 19, 22, 28, 40)	
H9	G9	H9	N9
für alle Kolbenstangendurchmesser erhältlich <i>available for all diameters</i>		M8	M10



Beschläge | Brackets

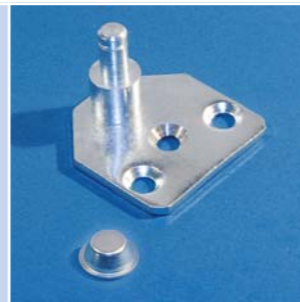
900 BA1 SB

Platte

Darstellung ohne die mittlere Bohrung (Bohrungs- ϕ ist gleich)

Bolzen

Schnellbefestiger Quick fastener



900 BA2 SB

Platte

Bolzen

Schnellbefestiger Quick fastener



900 BA5 SB

Material-Platte: DD11

Material-Bolzen: 115Mn30+C

Schnellbefestiger Quick fastener



900 BA3

geeignet für Kugelpfannen mit A_0 10mm
Suitable for ball sockets with A_0 10mm

Platte

A (2:1)

Bolzen (Kugel ϕ 10)

Fläche ϕ 2



900 BA4

geeignet für Kugelpfannen mit A_0 10mm
Suitable for ball sockets with A_0 10mm

Platte

Darstellung ohne die mittlere Bohrung (Bohrungs- ϕ ist gleich)

Fläche ϕ 2

Bolzen (Kugel ϕ 10)



900BA6B0

Federstahl-Sicherung



900 BA12SR

Sicherungsring retaining ring



900 BA14SR

Sicherungsring retaining ring



900 BA20SR

Sicherungsring retaining ring



900 BA21SR

Sicherungsring retaining ring



Verfügbare Ablassschrauben für Gasfedern mit Ventil | Available release screws for gas springs with valve

Artikel-Nr. Art.-No.	für Gewinde for thread	Zylinder Cylinder ϕ mm
XXAS15MV0	M5 x 5	15
XXAS19MN0	M8 x 8	19 & 22
XXAS22MM0	M10 x 13	22
XXAS28MN0	M8 x 8	28
XXAS28MM0	M10 x 13	28
XXAS40MM0	M10 x 13	40
XXAS40MZ0	M14 x 1.5 x 15	40

